



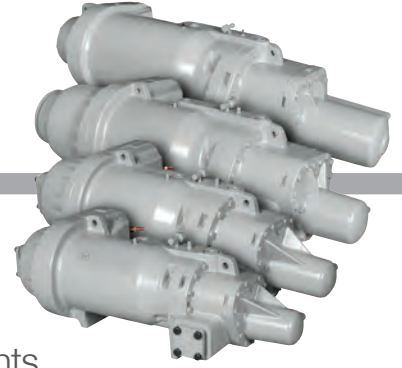
PARAGON™
TWIN SCREW COMPRESSORS

THE MOST ADVANCED
COMPRESSOR TECHNOLOGY AVAILABLE

PARAGON TWIN SCREW COMPRESSORS

THE MOST ADVANCED COMPRESSOR
TECHNOLOGY AVAILABLE

PARAGON TWIN SCREW COMPRESSORS



Carlyle Compressors

Every day around the world, Carlyle compressors are working quietly and efficiently in supermarkets, computer rooms, manufacturing plants, on board ships and over the road. Carlyle compressors consistently meet and exceed the demands of challenging environments, providing the most reliable refrigeration in the world.

Carlyle compressors are more dependable and durable by design. In critical applications where extreme conditions are frequently encountered, first-year failure rates are a mere 0.29%.

Carlyle compressors also provide higher performance. Twin screw models can be applied in high, medium, and low-temperature applications. With the widest operating range available for all standard refrigerants and lubricants, Carlyle has a compressor that will fit any application.

Carlyle's advanced engineering superior efficiencies that can save thousands of dollars in energy costs over the lifespan of the unit.



PARAGON™
TWIN SCREW COMPRESSORS

Table of Contents

- Physical Data4**
 - Air Cooled—R134A4
 - Water Cooled—R134A4
 - Refrigeration—R404A4
- Electrical Data5**
 - Air Cooled—R134A5
 - Water Cooled—R134A6
 - Refrigeration—R404A7
- Performance Data8**
 - Air Cooled—Non-Economized8
 - Water Cooled—Non-Economized9
 - Air Cooled—Economized10
 - Water Cooled—Economized11
 - Refrigeration—Economized12
- Operating Envelopes13**
- Technical Drawings14**
 - TS14
 - TT14
 - TU15
 - TV15

Physical Data

Air Cooled—R134A

Note: Normal operating speed is 3,500 RPM.
Nominal capacity using ARI Standard 540 (45°F SST, 130°F SDT, 65° return gas, economized to SIT 10°F)

Models	Displacement (CFM at 60Hz)	Nominal Horsepower	Nominal Capacity (Tons)
06TSA137	137	60	44
06TSA155	155	75	50
06TSA186	186	75	59
06TTA266	266	120	86
06TTA301	301	150	101
06TTA356	356	150	120
06TUA483	483	225	165
06TUA554	554	225	185
06TVA680	680	340	228
06TVA753	753	340	252
06TVA819	819	340	275

Water Cooled—R134A

Note: Normal operating speed is 3,500 RPM.
Nominal capacity using ARI Standard 540 (40°F SST, 100°F SST, 65° return gas, economized to SIT 10°F)

Models	Displacement (CFM at 60Hz)	Nominal Horsepower	Nominal Capacity (Tons)
06TTW266	266	90	95
06TTW301	301	90	108
06TTW356	356	120	129
06TUW483	483	160	172
06TUW554	554	160	195
06TVW680	680	225	244
06TVW753	753	225	269
06TVW819	819	225	292

Refrigeration—R404A

Note: Normal operating speed is 3,500 RPM.
Nominal capacity using ARI Standard 540 (-25°F SST, 110°F SDT, 65° return gas, economized to SIT 10°F)

Models	Displacement (CFM at 60Hz)	Nominal Horsepower	Nominal Capacity (Tons)
06TSR137	137	60	19
06TSR155	155	75	21
06TSR186	186	75	25
06TTR266	266	120	39
06TTR301	301	150	46
06TTR356	356	150	54



Air Cooled—R134A

Note 1: Contact Carlyle Application Engineering for proper motor protection device

Compressor Base Models	Motor Size (HP @ 60 Hz)	Motor Voltage (Volts-PH-Freq)	RLA	LRA		Model Number 1st–10th Digit	
				WYE	DELTA		
06TSA137	60	460-3-60	89	162	505	06TSA137SG	
		400-3-50	86	160	500		
		230-3-60	178	324	1010		06TSA137XG
		200-3-60	196	373	1162		06TSA137ZG
06TSA155	75	460-3-60	100	174	545	06TSA155SJ	
		400-3-50	96	170	530		
		230-3-60	200	348	1090		06TSA155XJ
		200-3-60	220	400	1254		06TSA155ZJ
06TSA186	75	460-3-60	116	174	545	06TSA186SJ	
		400-3-50	112	170	530		
		230-3-60	233	348	1090		06TSA186XJ
		200-3-60	256	400	1254		06TSA186ZJ
06TTA266	120	460-3-60	165	298	930	06TTA266SP	
		400-3-50	159	303	945		
		230-3-60	330	596	1860		06TTA266XP
		200-3-60	363	685	2139		06TTA266ZP
06TTA301	150	460-3-60	187	382	1190	06TTA301SS	
		400-3-50	181	388	1210		
		230-3-60	375	764	2380		06TTA301XS
		200-3-60	412	879	2737		06TTA301ZS
06TTA356	150	460-3-60	226	382	1190	06TTA356SS	
		400-3-50	218	388	1210		
		230-3-60	452	764	2380		06TTA356XS
		200-3-60	497	879	2737		06TTA356ZS
06TUA483	225	460-3-60	314	578	1800	06TUA483SW	
		400-3-50	303	587	1828		
		230-3-60	628	1156	3600		06TUA483XW
		200-3-60	691	1329	4140		06TUA483ZW
06TUA554	225	460-3-60	360	578	1800	06TUA554SW	
		400-3-50	347	587	1828		
		230-3-60	720	1156	3600		06TUA554XW
		200-3-60	792	1329	4140		06TUA554ZW
06TVA680	340	460-3-60	462	623	1900	06TVA680SX	
		400-3-50	438	629	1919		
06TVA753	340	460-3-60	506	623	1900	06TVA753SX	
		400-3-50	487	629	1919		
06TVA819	340	460-3-60	517	623	1900	06TVA819SX	
		400-3-50	504	629	1919		

Electrical Data (continued)

Water Cooled—R134A

Note 1: Contact Carlyle Application Engineering for proper motor protection device

Compressor Base Models	Motor Size (HP @ 60 Hz)	Motor Voltage (Volts-PH-Freq)	RLA	LRA		Model Number 1st-10th Digit	
				WYE	DELTA		
06TTW266	90	460-3-60	124	229	715	06TTW266SM	
		400-3-50	120	233	726		
		230-3-60	249	458	1430		06TTW266XM
		200-3-60	274	527	1645		06TTW266ZM
06TTW301	90	460-3-60	139	229	715	06TTW301SM	
		400-3-50	134	233	726		
		230-3-60	278	458	1430		06TTW301XM
		200-3-60	306	527	1645		06TTW301ZM
06TTW356	120	460-3-60	161	298	930	06TTW356SP	
		400-3-50	155	303	945		
		230-3-60	322	596	1860		06TTW356XP
		200-3-60	354	685	2139		06TTW356ZP
06TUW483	160	460-3-60	199	408	1270	06TUW483ST	
		400-3-50	186	414	1290		
		230-3-60	397	816	2540		06TUW483XT
		200-3-60	457	938	2921		06TUW483ZT
06TUW554	160	460-3-60	223	408	1270	06TUW554ST	
		400-3-50	209	414	1290		
		230-3-60	447	816	2540		06TUW554XT
		200-3-60	514	938	2921		06TUW554ZT
06TVW680	225	460-3-60	280	578	1800	06TVW680SW	
		400-3-50	261	587	1828		
		230-3-60	559	1156	3600		06TVX680XW
		200-3-60	643	1329	4140		06TVW680ZW
06TVW753	225	460-3-60	310	578	1800	06TVW753SW	
		400-3-50	289	587	1828		
		230-3-60	619	1156	3600		06TVX753XW
		200-3-60	712	1329	4140		06TVW753ZW
06TVW819	225	460-3-60	330	578	1800	06TVW819SW	
		400-3-50	308	587	1828		
		230-3-60	660	1156	3600		06TVX819XW
		200-3-60	759	1329	4140		06TVW819ZW



Refrigeration – R404A Note 1: Contact Carlyle Application Engineering for proper motor protection device

Compressor Base Models	Motor Size (HP @ 60 Hz)	Motor Voltage (Volts-PH-Freq)	RLA	LRA		Model Number 1st–10th Digit	
				WYE	DELTA		
06TSR137	60	460-3-60	101	162	505	06TSR137SG	
		400-3-50	98	160	500		
		230-3-60	203	324	1010		06TSR137XG
		200-3-60	223	373	1162		06TSR137ZG
06TSR155	75	460-3-60	108	174	545	06TSR155SJ	
		400-3-50	119	170	530	06TSR155XJ	
		230-3-60	217	348	1090	06TSR155ZJ	
		200-3-60	2	400	1254	06TSR155ZJ	
06TSR186	75	460-3-60	12	174	545	06TSR186SJ	
		400-3-50	120	170	530	06TSR186XJ	
		230-3-60	249	348	1090	06TSR186ZJ	
		200-3-60	273	400	1254	06TSR186ZJ	
06TTR266	120	460-3-60	190	298	930	06TTR266SP	
		400-3-50	183	303	945	06TTR266XP	
		230-3-60	380	596	1860	06TTR266ZP	
		200-3-60	418	685	2139	06TTR266ZP	
06TTR301	150	460-3-60	210	382	1190	06TTR301SS	
		400-3-50	203	388	1210	06TTR301XS	
		230-3-60	421	764	2380	06TTR301ZS	
		200-3-60	462	879	2737	06TTR301ZS	
06TTR356	150	460-3-60	238	382	1190	06TTR356SS	
		400-3-50	229	388	1210	06TTR356XS	
		230-3-60	475	764	2380	06TTR356ZS	
		200-3-60	523	879	2737	06TTR356ZS	



Performance Data

Air Cooled – Non-Economized

20° F Superheat, 15° sub-cooling

Compressor Model	Condensing Temperature SDT (°F)	Q (Btu/hr)* P (kW)	Evaporation Temperature (°F)					
			55°	45°	35°	25°	15°	5°
06TSA137	90°	Q	750,750	618,662	502,908	402,993	318,356	248,383
		P	32.5	30.7	29.0	27.6	26.4	25.4
	110°	Q	668,644	548,952	444,446	354,620	278,904	216,678
		P	38.2	36.3	34.7	33.2	31.9	30.9
	130°	Q	582,779	475,637	382,498	302,842	236,093	181,622
		P	45.4	43.5	41.8	40.3	39.0	37.9
06TSA155	90°	Q	839,882	700,317	574,936	463,394	365,281	280,141
		P	36.0	34.1	32.4	30.7	29.2	27.7
	110°	Q	748,989	621,707	507,700	406,614	318,031	241,486
		P	42.6	40.7	38.9	37.2	35.6	34.1
	130°	Q	650,288	535,678	433,410	343,116	264,372	196,704
		P	51.1	49.2	47.4	45.6	44.0	42.5
06TSA186	90°	Q	975,274	812,182	666,234	536,992	423,945	326,523
		P	40.7	38.9	37.1	35.4	33.8	32.3
	110°	Q	872,352	723,430	590,543	473,242	371,008	283,261
		P	49.2	47.3	45.4	43.6	41.9	40.2
	130°	Q	761,962	627,646	508,223	403,233	312,145	234,373
		P	59.8	57.8	55.8	54.0	52.1	50.4
06TTA266	90°	Q	1,499,619	1,249,987	1,025,367	825,160	648,659	495,067
		P	65.3	61.4	57.8	54.6	51.7	49.1
	110°	Q	1,350,124	1,121,952	917,203	735,263	575,409	436,834
		P	75.3	71.6	68.1	65.0	62.2	59.7
	130°	Q	1,187,119	981,091	796,851	633,765	491,099	368,031
		P	88.5	84.9	81.5	78.5	75.8	73.4
06TTA301	90°	Q	1,705,599	1,415,675	1,156,061	925,988	724,560	550,773
		P	70.3	66.5	63.1	59.8	56.9	54.2
	110°	Q	1,531,064	1,265,782	1,028,871	819,547	636,897	479,904
		P	82.8	79.1	75.6	72.4	69.5	66.9
	130°	Q	1,342,142	1,102,373	888,982	701,162	537,984	398,417
		P	98.8	95.1	91.7	88.6	85.7	83.1
06TTA356	90°	Q	2,003,497	1,670,697	1,371,609	1,105,414	871,146	667,719
		P	83.6	78.7	74.2	70.0	66.3	63.0
	110°	Q	1,801,776	1,497,164	1,224,132	981,839	769,302	585,420
		P	97.0	92.8	87.8	83.8	80.3	77.2
	130°	Q	1,580,502	1,305,123	1,059,130	841,659	651,706	488,156
		P	115.0	110.4	106.2	102.3	99.0	96.0
06TUA483	90°	Q	2,644,378	2,211,228	1,819,274	1,467,603	1,155,119	880,573
		P	118.7	110.2	102.5	95.6	89.6	84.4
	110°	Q	2,384,110	1,987,822	1,630,177	1,310,234	1,026,876	778,834
		P	135.9	127.8	120.6	114.2	108.6	103.9
	130°	Q	2,104,870	1,746,565	1,424,275	1,137,028	883,682	662,949
		P	159.3	151.7	145.0	139.0	133.9	129.7
06TUA554	90°	Q	3,017,308	2,515,307	2,065,167	1,665,594	1,315,070	1,011,893
		P	127.3	119.0	111.5	104.9	99.0	93.9
	110°	Q	2,715,552	2,257,611	1,848,160	1,485,868	1,169,189	896,399
		P	148.0	140.2	133.1	126.8	121.3	116.6
	130°	Q	2,391,754	1,978,963	1,611,187	1,287,058	1,005,002	763,267
		P	175.1	167.6	160.9	155.0	149.9	145.5
06TVA680	90°	Q	3,801,921	3,167,390	2,598,560	2,093,786	1,651,142	1,268,468
		P	173.4	159.9	147.9	137.2	128.0	120.2
	110°	Q	3,429,906	2,849,996	2,331,545	1,872,866	1,471,999	1,126,755
		P	197.0	184.2	172.9	162.9	154.4	147.3
	130°	Q	3,036,306	2,512,410	2,045,597	1,634,137	1,276,032	969,065
		P	228.7	216.6	206.0	196.7	188.9	182.5
06TVA753	90°	Q	4,142,704	3,420,357	2,785,305	2,234,959	1,766,377	1,376,328
		P	179.7	166.1	154.0	143.4	134.5	127.1
	110°	Q	3,743,429	3,080,638	2,499,305	1,996,795	1,570,131	1,216,054
		P	208.1	194.2	181.9	171.1	161.9	154.3
	130°	Q	3,317,804	2,716,738	2,191,105	1,738,222	1,355,073	1,038,367
		P	244.0	229.9	217.3	206.3	196.9	189.0
06TVA819	90°	Q	4,453,665	3,710,059	3,044,764	2,455,777	1,940,761	1,497,102
		P	191.5	177.9	165.7	154.8	145.2	137.0
	110°	Q	4,015,984	3,333,728	2,724,803	2,187,160	1,718,426	1,315,957
		P	221.4	208.5	197.1	186.9	178.1	170.7
	130°	Q	3,551,706	2,933,013	2,382,514	1,898,109	1,477,387	1,117,671
		P	261.1	249.0	238.3	228.9	220.9	214.2

Performance Data (continued)

Water Cooled – Non-Economized

20° F Superheat, 15° sub-cooling

Compressor Model	Condensing Temperature SDT (°F)	Q (Btu/hr)* P (kW)	Evaporation Temperature (°F)				
			45°	35°	25°	15°	5°
06TTW266	85°	Q	1,309,342	1,058,859	845,051	666,589	522,020
		P	51.6	51.1	50.6	49.9	49.1
	100°	Q	1,207,547	973,436	744,064	608,088	474,046
		P	62.5	62.1	61.5	60.8	60.0
115°	Q	1,098,976	881,573	696,931	543,692	420,386	
	P	74.3	73.8	73.2	72.5	71.6	
06TTW301	85°	Q	1,469,054	1,188,005	947,905	747,271	584,488
		P	57.7	56.1	54.9	53.9	53.4
	100°	Q	1,356,700	1,093,813	869,721	682,929	531,809
		P	69.6	68.0	66.6	65.6	65.0
115°	Q	1,236,859	992,528	784,791	612,139	472,934	
	P	82.2	80.5	79.1	78.0	77.3	
06TTW356	85°	Q	1,725,067	1,395,056	1,112,828	876,662	684,679
		P	66.6	64.7	63.1	61.9	61.1
	100°	Q	1,595,006	1,285,891	1,022,065	801,792	623,181
		P	80.0	77.9	76.3	75.0	74.1
115°	Q	1,456,047	1,168,343	923,381	719,406	554,517	
	P	94.1	91.9	90.2	88.8	87.9	
06TUW483	85°	Q	2,363,572	1,911,862	1,525,391	1,201,813	938,564
		P	85.1	85.7	86.5	87.4	88.6
	100°	Q	2,181,304	1,758,588	1,397,699	1,096,267	851,714
		P	107.5	108.0	108.8	109.7	110.8
115°	Q	1,986,186	1,593,152	1,258,456	979,709	754,312	
	P	131.9	132.3	133.0	133.9	134.9	
06TUW554	85°	Q	2,681,297	2,169,374	1,731,599	1,365,300	1,067,560
		P	96.2	96.2	96.5	97.2	98.1
	100°	Q	2,476,682	1,997,884	1,589,338	1,248,347	971,976
		P	121.3	121.3	121.6	122.1	123.0
115°	Q	2,258,704	1,813,733	1,435,032	1,119,879	865,319	
	P	146.7	148.6	148.8	149.4	150.2	
06TVW680	85°	Q	3,319,938	2,685,322	2,141,848	1,686,249	1,314,957
		P	119.9	120.3	121.1	122.2	123.6
	100°	Q	3,057,539	2,463,190	1,955,249	1,530,420	1,185,111
		P	151.8	152.2	152.9	154.0	155.4
115°	Q	2,775,071	2,222,100	1,750,702	1,357,548	1,039,024	
	P	186.6	186.9	187.6	188.7	190.1	
06TVW753	85°	Q	3,642,894	2,946,398	2,350,585	1,851,832	1,446,182
		P	130.5	130.7	131.6	133.0	135.1
	100°	Q	3,355,453	2,703,818	2,147,601	1,683,143	1,306,462
		P	164.6	164.9	165.8	167.3	169.3
115°	Q	3,047,099	2,441,424	1,925,785	1,496,491	1,149,530	
	P	204.0	204.3	205.2	206.7	208.8	
06TVW819	85°	Q	3,943,922	3,187,342	2,539,408	1,996,228	1,553,547
		P	139.0	139.2	140.1	141.4	143.4
	100°	Q	3,636,929	2,928,636	2,323,330	1,817,083	1,405,615
		P	176.4	176.4	177.0	178.1	179.9
115°	Q	3,306,444	2,647,687	2,086,138	1,617,829	1,238,452	
	P	217.7	217.4	217.8	218.7	220.1	



Performance Data (continued)

Air Cooled—Economized

20° F Superheat, SIT + 10

Compressor Model	Condensing Temperature SDT (°F)	Q (Btu/hr)* P (kW)	Evaporation Temperature (°F)					
			55°	45°	35°	25°	15°	5°
06TSA137	90°	Q	709,877	614,243	521,233	430,179	315,318	284,325
		P	32.5	30.6	29.2	28.2	27.3	26.5
	110°	Q	685,242	581,343	486,335	402,737	328,764	265,195
		P	38.9	37.7	36.5	35.3	34.1	33
	130°	Q	629,830	532,831	446,295	368,096	299,117	241,176
		P	49.1	47.6	46.1	44.6	43.2	41.8
06TSA155	90°	Q	785,570	685,918	609,009	490,155	399,522	319,064
		P	35.1	34.5	33.7	32.4	31.1	29.9
	110°	Q	760,419	653,160	551,949	459,716	374,486	297,182
		P	44.3	43.2	42	40.8	39.4	38
	130°	Q	703,455	601,206	506,991	416,623	335,276	261,543
		P	55.6	54.3	52.9	51.3	49.6	47.7
06TSA186	90°	Q	934,537	804,540	679,670	562,888	464,865	382,325
		P	40.7	39.5	38.3	37.4	36.6	35.8
	110°	Q	909,696	764,894	641,155	529,186	435,236	359,063
		P	52.3	50.7	49.3	47.9	46.5	45.2
	130°	Q	837,776	703,994	586,129	481,492	391,356	318,212
		P	66.5	64.4	62.4	60.4	58.5	56.7
06TTA266	90°	Q	1,388,664	1,218,434	1,050,786	877,297	717,865	567,075
		P	63.8	61.8	59.4	57.2	55	52.7
	110°	Q	1,362,406	1,177,819	1,005,177	835,291	680,260	539,938
		P	77.5	75.2	73	70.5	68.2	65.8
	130°	Q	1,281,905	1,100,040	932,175	777,040	628,277	493,565
		P	95.1	92.5	90.1	87.6	84.9	82
06TTA301	90°	Q	1,664,958	1,445,865	1,213,282	1,002,559	811,367	653,206
		P	71.2	68.3	65.5	62.9	60.4	59.8
	110°	Q	1,636,500	1,357,308	1,139,953	939,926	758,310	594,820
		P	81.2	84.1	80.5	78.6	75.7	72.8
	130°	Q	1,470,168	1,250,539	1,050,185	863,931	693,516	540,487
		P	107.3	104.4	101.5	98.5	95.3	91.9
06TTA356	90°	Q	1,921,504	1,682,460	1,430,497	1,193,565	962,146	772,982
		P	84.7	81.6	78.5	75.6	70	69.2
	110°	Q	1,948,225	1,608,496	1,356,335	1,132,483	925,027	730,583
		P	94.6	99.8	93.3	93.6	90.7	87.3
	130°	Q	1,748,719	1,497,306	1,265,649	1,047,456	844,571	661,391
		P	127	123.7	120.4	116.9	113.2	109.5
06TUA483	90°	Q	2,474,330	2,170,202	1,870,130	1,552,613	1,286,643	996,891
		P	115.6	111	105.1	99.5	97.2	89.7
	110°	Q	2,434,774	2,085,133	1,804,329	1,477,278	1,195,232	946,822
		P	140	134.1	128.4	123.1	132.6	112.6
	130°	Q	2,273,775	1,953,188	1,656,970	1,376,573	1,114,467	872,847
		P	171	165.1	159.4	153.5	147.7	141.9
06TUA554	90°	Q	2,827,541	2,466,728	2,117,718	1,756,948	1,454,068	1,171,612
		P	125.4	120.3	114.4	109.2	107.6	108.4
	110°	Q	2,771,228	2,371,842	2,045,164	1,666,896	1,346,026	1,086,499
		P	152.8	147.1	142.4	144	145.5	126.4
	130°	Q	2,585,394	2,208,752	1,857,843	1,542,683	1,255,709	999,796
		P	188.1	182.4	176.7	171.3	165.7	160.1
06TVA680	90°	Q	3,759,156	3,267,155	2,727,867	2,266,840	1,846,066	1,467,999
		P	161	151	149.2	144	137.3	129.9
	110°	Q	3,620,178	3,078,406	2,601,235	2,150,096	1,755,436	1,392,184
		P	201.8	194	187.3	178.8	174.1	162.4
	130°	Q	3,377,764	2,878,371	2,413,433	1,994,541	1,611,055	1,271,072
		P	250.9	241.6	231.7	222.3	212.7	203.6
06TVA753	90°	Q	4,152,482	3,543,253	2,957,727	2,453,893	1,991,161	1,608,233
		P	180	169	161.9	155.4	147.5	140.6
	110°	Q	3,980,899	3,379,431	2,828,305	2,331,634	1,893,031	1,521,780
		P	220.7	212.9	204.7	196	187.1	178.6
	130°	Q	3,761,709	3,189,016	2,663,085	2,188,163	1,775,627	1,417,723
		P	274.3	264.5	254.2	243.4	233.1	222.7
06TVA819	90°	Q	4,404,520	3,826,825	3,220,027	2,674,075	2,176,255	1,736,187
		P	217.1	170.6	172.5	166.2	158.4	150.5
	110°	Q	4,226,171	3,607,365	3,046,097	2,537,851	2,062,440	1,942,585
		P	232.1	225	217.5	209.8	200.4	191.4
	130°	Q	3,934,014	3,365,655	2,833,204	2,350,983	1,899,440	1,500,806
		P	291.4	282.3	272.2	262.4	251.4	241.1

Performance Data (continued)

Water Cooled – Economized

20° F Superheat, SIT + 10

Compressor Model	Condensing Temperature SDT (°F)	Q (Btu/hr)* P (kW)	Evaporation Temperature (°F)				
			45°	35°	25°	15°	5°
06TTW266	85°	Q	1,281,522	1,086,191	892,885	728,360	587,471
		P	51.5	51.0	51.2	51.1	50.6
	100°	Q	1,249,850	1,039,716	853,163	694,554	561,123
		P	62.9	63.5	63.6	63.4	62.8
	115°	Q	1,184,156	982,485	806,967		
		P	77.5	77.9	78.0		
06TTW301	85°	Q	1,468,275	1,233,323	1,009,381	822,807	662,754
		P	57.5	56.4	56.1	56.1	55.6
	100°	Q	1,415,584	1,177,595	966,101	782,754	631,544
		P	70.4	70.2	69.9	69.4	68.7
	115°	Q	1,343,777	1,115,084	911,812		
		P	86.1	85.8	85.3		
06TTW356	85°	Q	1,766,019	1,464,574	1,202,902	975,615	784,359
		P	66.4	65.8	65.5	65.1	64.4
	115°	Q	1,690,682	1,405,805	1,147,666	932,333	747,308
		P	82.2	81.8	81.0	80.4	79.3
	115°	Q	1,607,640	1,333,284	1,089,145		
		P	100.2	99.5	98.6		
06TUW483	85°	Q	2,308,980	1,957,887	1,609,108	1,305,830	1,054,545
		P	85.1	85.4	87.5	89.4	90.9
	100°	Q	2,253,677	1,874,761	1,537,232	1,243,774	1,000,827
		P	107.7	110.0	112.3	114.1	115.3
	115°	Q	2,135,771	1,795,274	1,146,380		
		P	135.5	139.3	140.7		
06TUW554	85°	Q	2,624,163	2,212,068	1,821,132	1,478,187	1,189,372
		P	96.3	96.1	97.2	98.8	100.1
	100°	Q	2,551,316	2,113,884	1,734,334	1,404,405	1,126,757
		P	121.3	122.2	123.7	125.1	126.3
	115°	Q	2,409,126	1,999,704	1,634,864		
		P	151.4	153.5	155.3		
06TVW680	85°	Q	3,382,534	2,802,934	2,290,204	1,846,936	1,481,131
		P	119.8	121.3	123.8	126.1	127.9
	100°	Q	3,204,290	2,654,535	2,159,892	1,736,594	1,404,973
		P	152.9	155.3	157.3	159.0	160.5
	115°	Q	3,007,958	2,489,760	2,028,517		
		P	192.2	194.9	197.0		
06TVW753	85°	Q	3,720,720	3,084,605	2,522,491	2,048,079	1,637,673
		P	130.5	131.7	134.8	138.2	140.7
	100°	Q	3,545,287	2,932,964	2,393,416	1,925,403	1,541,810
		P	166.3	169.2	172.3	175.0	177.4
	115°	Q	3,318,581	2,735,479	2,230,111		
		P	210.7	214.1	217.6		
06TVW819	85°	Q	4,059,471	3,344,739	2,740,273	2,221,988	1,786,542
		P	139.0	140.7	144.0	147.2	149.6
	100°	Q	3,854,127	3,184,986	2,597,418	2,099,535	1,681,814
		P	178.8	181.6	184.4	187.0	188.7
	115°	Q	3,617,443	2,980,657	2,429,125		
		P	226.4	229.5	232.3		



Performance Data (continued)

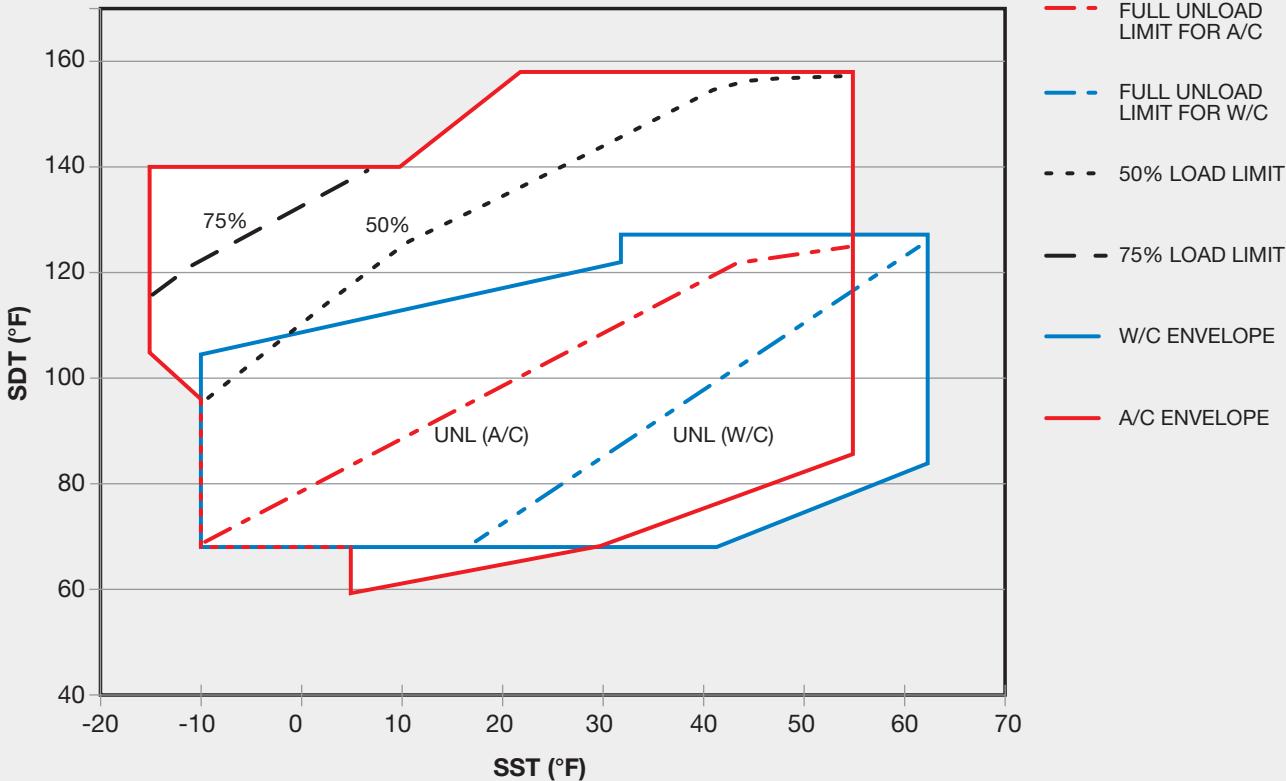
Refrigeration – Economized

20° F Superheat, SIT+10°F

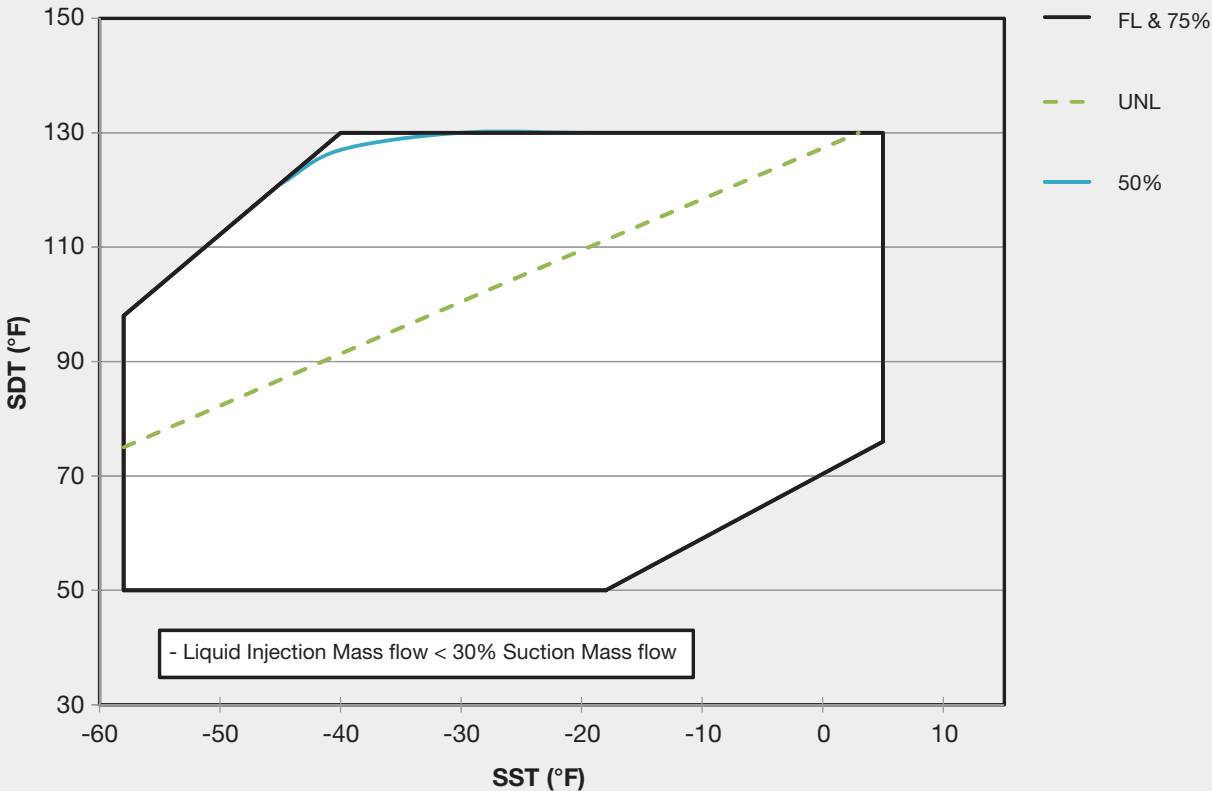
Compressor Model	Condensing Temperature SDT (°F)	Q (Btu/hr)* P (kW)	Evaporation Temperature (°F)					
			0°	-10°	-20°	-30°	-40°	-50°
06TSR137	90°	Q	432,311	368,328	290,607	229,634	175,882	129,745
		P	48.6	46.83	44.2	42.1	40.2	38.3
	110°	Q	380,243	310,594	248,004	190,538	141,165	99,504
		P	60.1	57.4	54.9	52.5	50.3	48.2
	120°	Q	348,187	281,218	221,054	166,787	118,776	
		P	67.3	64.4	61.7	59.2	56.8	
06TSR155	90°	Q	469,344	390,044	317,005	251,182	194,283	145,578
		P	52.5	49.7	47.0	44.5	42.2	40.2
	110°	Q	454,229	342,658	297,273	234,927	178,983	132,492
		P	58.3	60.8	51.9	49.3	46.9	44.8
	120°	Q	384,079	313,131	247,722	189,837	138,796	
		P	71.4	68.0	64.8	61.9	59.3	
06TSR186	90°	Q	531,930	443,250	364,306	294,714	232,193	180,494
		P	60.3	56.7	53.4	50.3	47.2	44.4
	110°	Q	475,958	396,396	322,919	256,781	200,117	152,336
		P	73.5	69.5	65.7	62	58.5	55.3
	120°	Q	444,437	366,063	297,930	244,564	180,225	
		P	81.3	76.9	72.9	70.1	65.2	
06TTR266	90°	Q	888,373	726,494	585,332	461,201	354,978	269,952
		P	88.9	85.8	82.6	79.3	76.0	73.0
	110°	Q	778,258	630,996	502,530	391,501	295,675	217,348
		P	111.3	107.4	103.7	100.1	96.6	93.2
	120°	Q	716,639	581,033	458,791	353,027	261,664	
		P	124.5	120.5	116.5	112.7	108.9	
06TTR301	90°	Q	985,310	815,159	665,880	531,152	415,744	317,729
		P	101.5	96.6	91.9	87.4	83.2	79.1
	110°	Q	891,402	733,157	592,366	468,367	357,660	266,379
		P	124.4	118.6	113.2	108.1	103.1	98.5
	120°	Q	838,897	686,458	550,664	430,901	323,948	
		P	138.0	131.6	125.8	120.3	114.9	
06TTR356	90°	Q	1,139,561	943,611	767,453	615,684	484,903	378,541
		P	115.0	108.7	102.1	96.0	90.3	85.5
	110°	Q	1,026,940	840,618	684,146	554,005	424,764	327,173
		P	140.8	132.2	124.9	118.7	111.7	106.3
	120°	Q	952,622	784,269	636,024	503,801	391,799	
		P	154.7	146.2	138.5	131.1	124.7	



Paragon Operating Envelopes - R134A

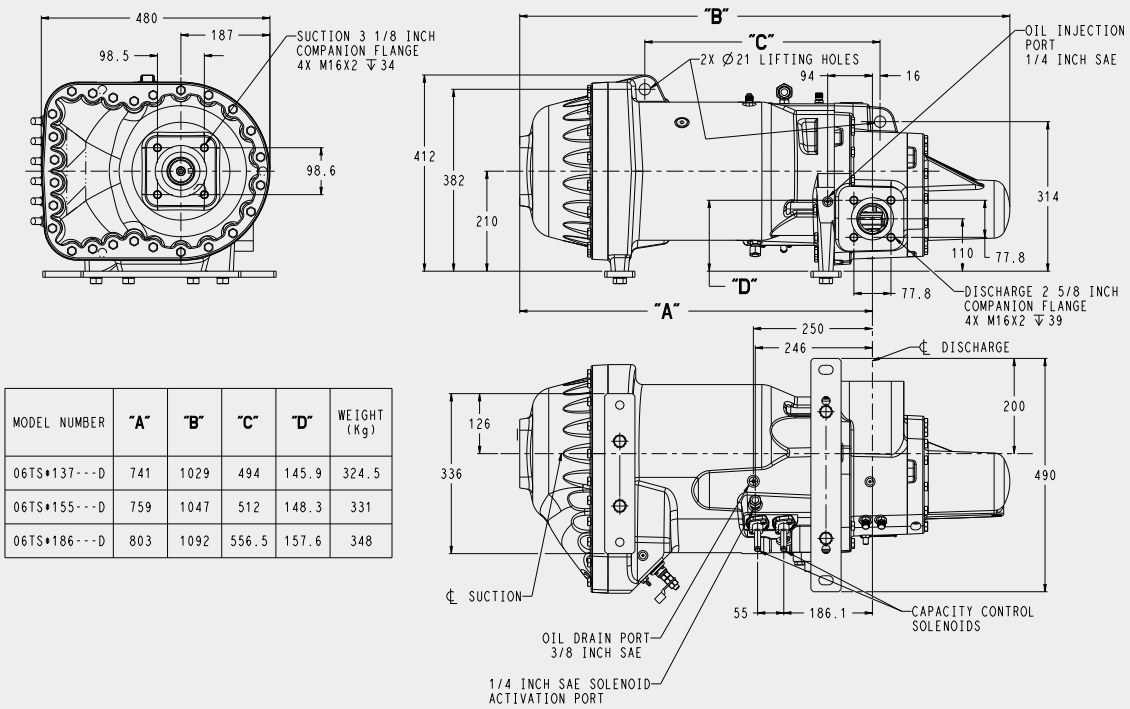


Paragon Operating Envelopes - R404A

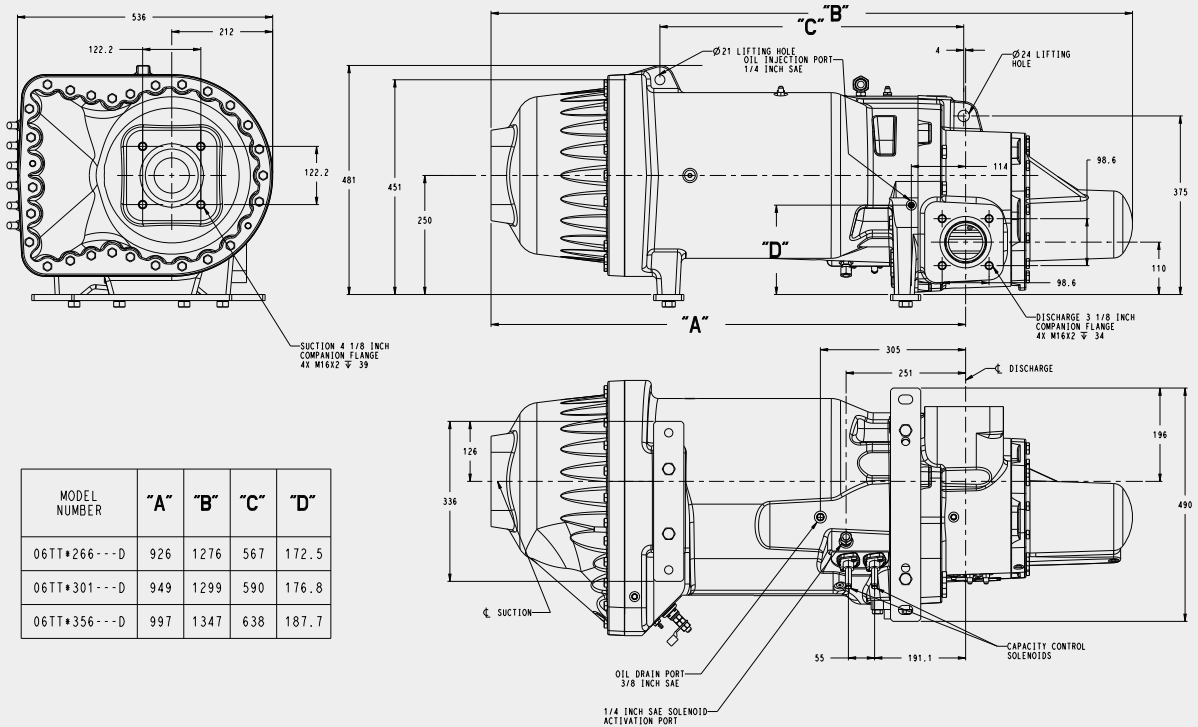


Technical Drawings

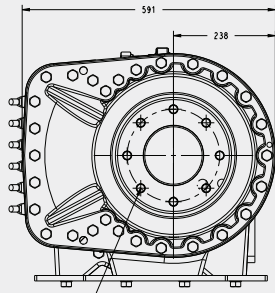
TS



TT

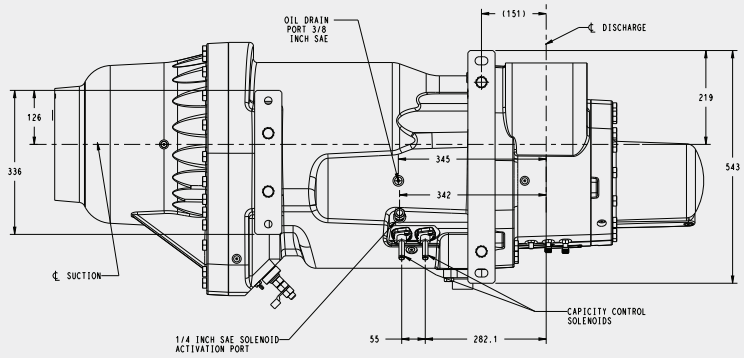
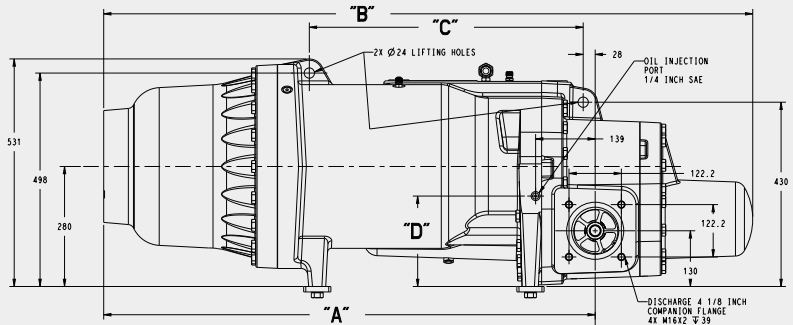


TU

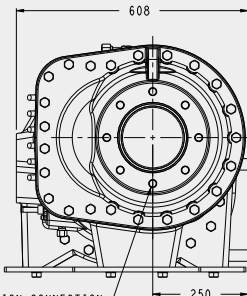


SUCTION 5 INCH COMPANION FLANGE 8X M20X2.5 ∇ 40 EQUALLY SPACED ON A \varnothing 215.9 B.C.

MODEL NUMBER	"A"	"B"	"C"	"D"
06TU*483---D	1099	1466	591	199
06TU*554---D	1147	1514	639	211

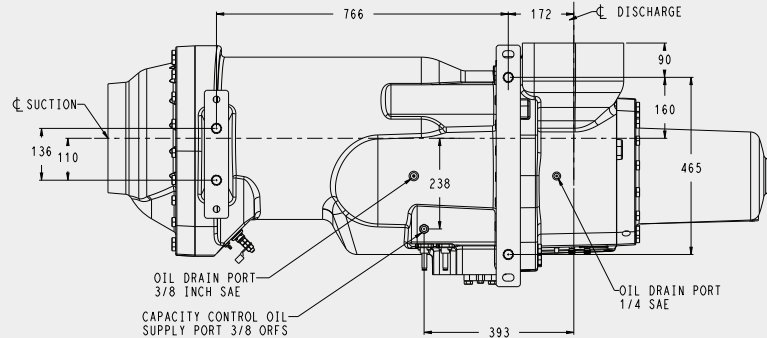
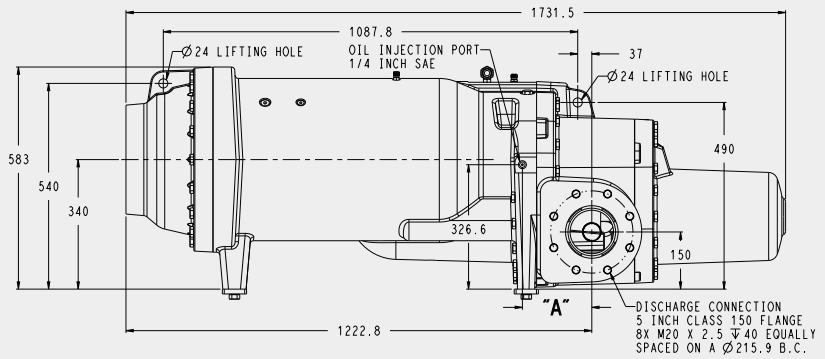


TV



SUCTION CONNECTION 6 INCH CLASS 150 FLANGE 8X M20 X 2.5 ∇ 40 EQUALLY SPACED ON A \varnothing 241.3 B.C.

MODEL NUMBER	"A"
06TV*680---D	163.2
06TV*753---D	169.6
06TV*819---D	182.2



History of Carlyle Compressor



Dr. Willis H. Carrier



J. Irvine Lyle

The roots of Carlyle Compressor run deep into the beginnings of the refrigeration and air conditioning industries. Originally formed by Dr. Willis H. Carrier and J. Irvine Lyle, to be the “compressor arm” of Carrier Engineering Company, its inventions and achievements in technology are reflected in most of the products and services now taken for granted by modern society. The name “Carlyle” was derived from a combination of the last names of Dr. Carrier and his partner, Mr. Lyle. Foresight and strategic planning have been Carlyle’s benchmarks of the last 90 years, always a gracious acknowledgment of its proud past.

The company’s engineering contributions have impacted all of the known compressor designs, including centrifugal, reciprocating (open drive, sem-hermetic, and hermetic), and screw technologies. Since Dr. Carrier invented the centrifugal refrigerating machine in 1921, the centrifugal compressor has been the focus on continual product enhancements to maintain its leadership position. The company’s major innovations and refinements are well documented and have resulted in the industry’s most advanced product offerings.

Paragon Twin Screw Compressors

Proven More Durable in Real-World Applications

- Statistically proven more reliable than the competition
- Widest operating range
- Less downtime
- Dependable parts availability and delivery

Coast-to-Coast Distribution Network

- Widest breadth of line in the industry
- 24 x 7 x 365 service and availability
- Superior technical support
- World class training resources
- Competitive pricing
- Around-the-clock emergency compressor delivery and guaranteed core pickup
- Immediate shipments available for OEM customers
- No need to wait for production lead times